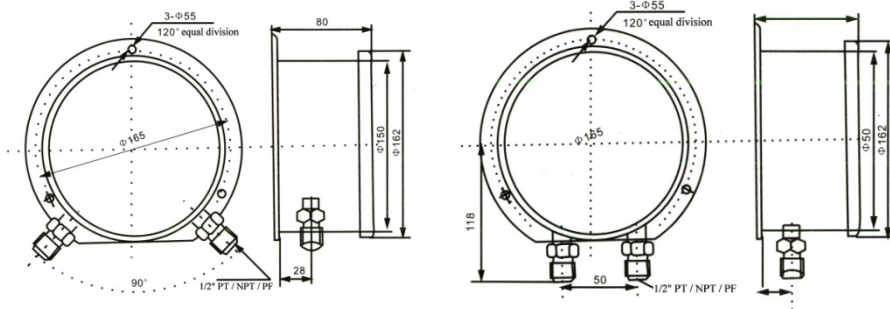


# DIFFERENTIAL PRESSURE GAUGES WITH BELLOWS

## 171 series

### APPLICATIONS

Used with all liquid and gas process media, provided that these do not corrode stainless steel, do not crystallize and are not highly viscous.



### SPECIFICATIONS

<b>Dial diameter Ø</b>	6" (150mm)
<b>Mounting</b>	Bottom connection (angle 90° between two threads ; parallel threads, 50 mm between two threads)
<b>Case</b>	Stainless steel 304, IP55
<b>Lens</b>	Glass (safety glass available)
<b>Dial</b>	Aluminum, black and red markings on white background
<b>Measuring principle</b>	Bellows, stainless steel 316
<b>Movement</b>	Stainless steel
<b>Pointer</b>	Aluminum, black
<b>Connection</b>	Male thread 1/2" PT(BSPT) / NPT / PF(BSP), stainless steel 316 other thread size available made-to-order
<b>Accuracy</b>	±2.5% F.S.
<b>Temperature limits</b>	medium +100°C ; ambient -40 to +60°C
<b>Static Pressure</b>	Max. 6 x ΔP
<b>Ranges</b>	0 / 0.1 ~ 0 / 25 kg/cm <sup>2</sup> (bar) <other units available >
<b>Optional extras</b>	Separation diaphragm 3-way stainless steel manifold (pressure equalizing valve)

### HOW TO ORDER (Please specify additionally the special custom-made specifications or option items)

