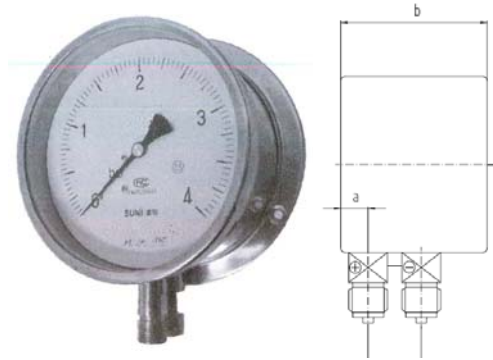


# DIFFERENTIAL PRESSURE GAUGES WITH BOURDON TUBES

## 175 series

### APPLICATIONS

Used with all liquid and gas process media, provided that these do not corrode stainless steel, do not crystallize and are not highly viscous. Scale range must be selected in consideration of the highest static pressure applied. The pressure differential to be indicated should be no less than 1/6 of the full scale range. Particularly used in industrial heaters, filter monitoring and water-recycling plant.



### SPECIFICATIONS

<b>Dial diameter Ø</b>	6"(150mm)
<b>Mounting</b>	Bottom connection
<b>Case</b>	Stainless steel 304, IP55
<b>Lens</b>	Glass (safety glass available)
<b>Dial</b>	Aluminum, black and red markings on white background
<b>Measuring principle</b>	Two Bourdon tubes, stainless steel 316
<b>Movement</b>	Stainless steel
<b>Pointer</b>	Aluminum, black, adjustable pointer optional
<b>Connection</b>	Male thread 1/2"PT(BSPT) / NPT / PF(BSP), stainless steel 316 other thread size available made-to-order
<b>Accuracy</b>	±2.5% F.S. ; ±1.6% F.S. available made-to-order
<b>Temperature limits</b>	medium +100°C ; ambient -20 to +60°C
<b>Static Pressure</b>	Max. 1.5 x ΔP
<b>Ranges</b>	0 / 4 ~ 0 / 25 kg/cm <sup>2</sup> (bar) < other units available >
<b>Optional extras</b>	Electrical contacts Separation diaphragm

### HOW TO ORDER

(Please specify additionally the special custom-made specifications or option items)

