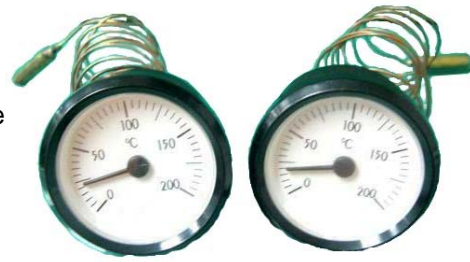


PLASTIC CASE THERMOMETERS

225 series

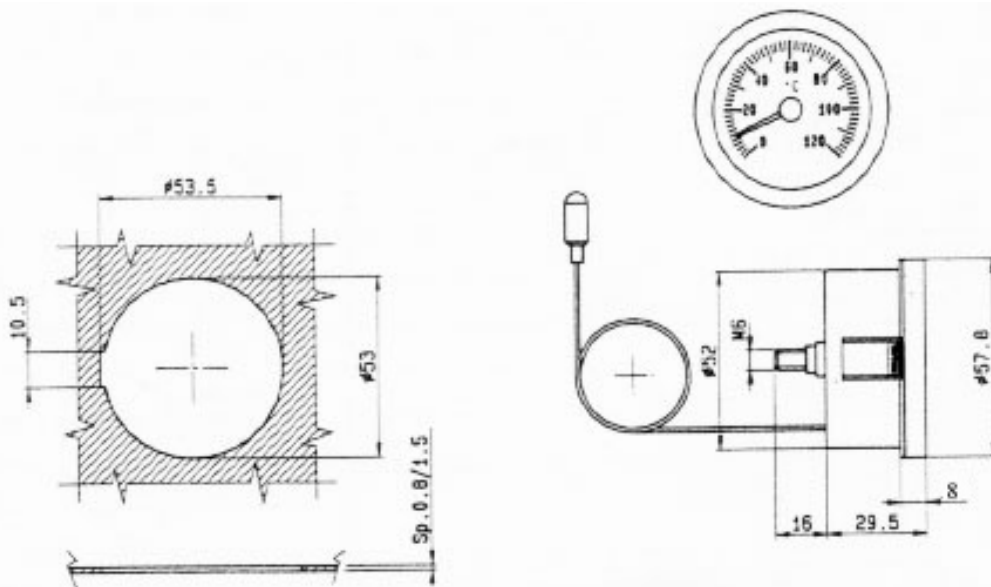
APPLICATIONS

The design of round and rectangular case with tenon can wedge the thermometer in the panel. Particularly used in boiler, refrigerator, household appliance and large catering equipment.



SPECIFICATIONS

Case	Plastic, black, with tenon to wedge in the panel
Lens	PC
Case size	Round — Ø52mm (back case infixed in the hole of panel)
Male thread	M6, on the center back of case
Material of Probe and Capillary	Copper, capillary with plastic cover
Capillary length	1000 mm standard, other length 350 ~ 2000 mm available by order
Probe	23mmL x Ø6mm
Range	0~120°C standard, other range available by order
Accuracy	± 3% F.S.



HOW TO ORDER

