

# DIAPHRAGM PRESSURE GAUGES

## Probe Seal Type DS360 series

### APPLICATIONS

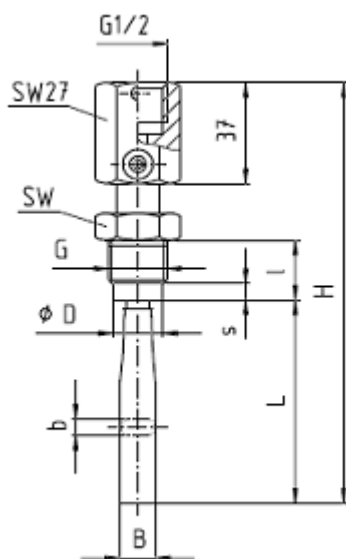
Particularly for flowing, heterogeneous media and high pressures from 100 bar.



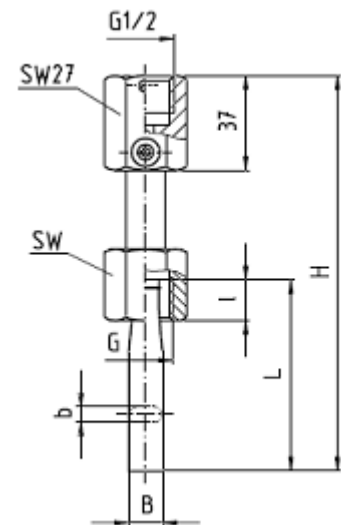
### SPECIFICATIONS

<b>Instruments</b>	111 series pressure gauges
<b>Process connection</b>	SS304 ; SS316 ; SS316L female union nut ; male running nut Sizes are custom-made by order
<b>Diaphragm</b>	SS316L
<b>Temperature</b>	medium +100°C ; ambient 10 to 60°C
<b>Filling Fluid</b>	Glycerin, food compatible
<b>Pressure ranges</b>	0 / 100 ~ 0 / 600 kg/cm <sup>2</sup> (bar)
<b>Accessory assembly (option)</b>	Capillary for remote measurement (specify length of capillary when ordering)

### STANDARD SIZES OF PROCESS CONNECTION



with Female union nut (mm)						
G	I	SW	L	B	b	H
G1/2"B	16	27	75	13	6	155
G3/4"B	18	32	100	18	7	180
G1"B	18	41	100	18	7	180



with Male running nut (mm)								
G	I	D	s	SW	L	B	b	H
G1/2"B	22	18	6	27	75	13	6	155
G3/4"B	24	24	6	32	100	18	7	180

### HOW TO ORDER

The sizes are custom-made by order. Please specify the material and sizes when ordering. Offering the drawing of sizes will be better.