

# DIAPHRAGM PRESSURE GAUGES

## Sanitary Process Connection — Threaded Coupling Type

### DS400 series

#### APPLICATIONS

Diaphragm pressure gauges are used when medium is high viscous, crystallizing or with particles. DS400 series is particularly used in food, beverage and pharmaceutical industry, dairies, dairy-products and breweries.

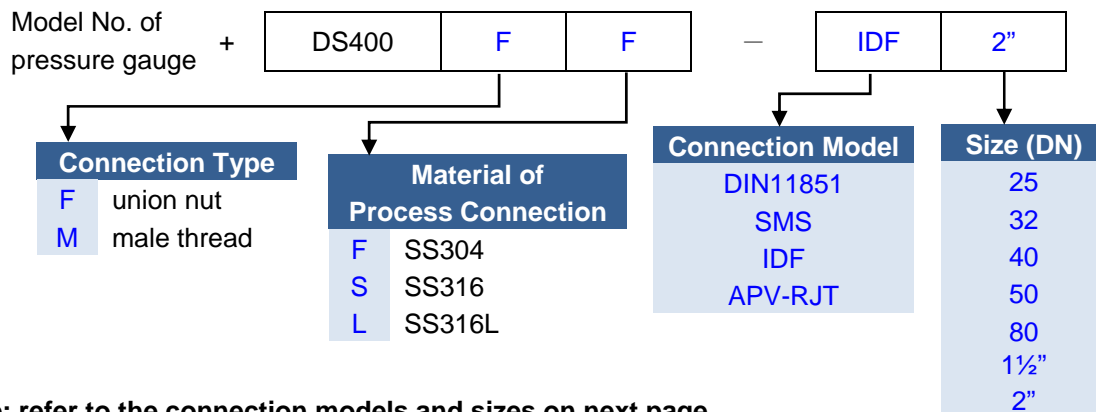


#### SPECIFICATIONS

<b>Instruments</b>	111 series pressure gauges and pressure transmitters are available
<b>Process connection Union nut</b>	Material: SS304 ; SS316 ; SS316L Size: DIN 11851 — DN25 ; DN32 ; DN40 ; DN50 ; DN80 SMS — 1½” ; 2” IDF — 1½” ; 2” APV / RJT — 1½” ; 2”
<b>Process connection Male thread</b>	Material: SS304 ; SS316 ; SS316L Size: DIN 11851 — DN40 ; DN50 SMS — 1½” ; 2” IDF — 1½” ; 2” APV / RJT — 1½” ; 2”
<b>Diaphragm</b>	SS316L standard, other material available made-to-order
<b>Temperature</b>	medium +80°C ; ambient 10 to 60°C for medium with temperature 80~400°C available made-to-order
<b>Filling Fluid</b>	Glycerin, food compatible
<b>Pressure ranges</b>	0 / 2.5 ~ 0 / 40 kg/cm <sup>2</sup> (bar)
<b>Accessory assembly (option)</b>	Cooling fin Capillary for remote measuring (specify length of capillary when ordering)

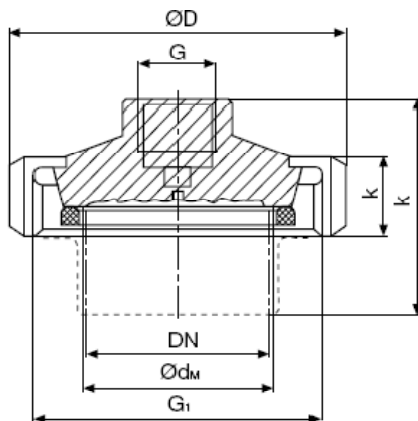
#### HOW TO ORDER

(Please specify additionally the special custom-made specifications or option items)

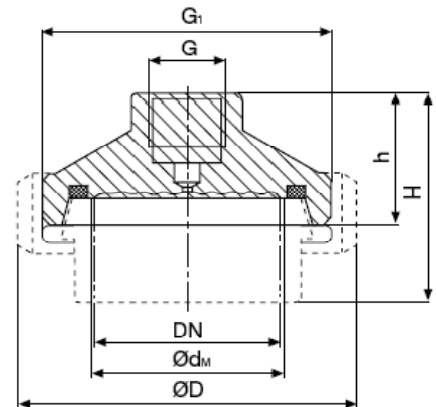


**Note:** refer to the connection models and sizes on next page

Model with union nut



Model with male thread



Model	DN [mm] or inch]	PN [bar]	Dimensions [mm]						
			d <sub>M</sub>	D	H <sub>ca</sub>	h <sub>ca</sub>	k	G	G <sub>1</sub>
<b>Chemical seals with union nut</b>									
DIN 11851	25	40	25	63	60	-	21	G 1/4	Rd 52 x 1/6
	32	40	32	70	69	-	21	G 1/2	Rd 58 x 1/6
	40	40	40	78	55	-	21	G 1/2	Rd 65 x 1/6
	50	25	52	92	59	-	22	G 1/2	Rd 78 x 1/6
	80	25	72	127	78	-	29	G 1/2	Rd 110 x 1/4
SMS-Standard	1 1/2	40	40	74	51	-	25	G 1/2	Rd 60 x 1/6
	2	40	52	84	51	-	26	G 1/2	Rd 70 x 1/6
IDF-Standard	1 1/2	40	32	64	53	-	30	G 1/2	1 1/2" IDF
	2	40	52	79	53	-	30	G 1/2	2" IDF
APV-RJT	1 1/2	40	32	72	60	-	21	G 1/2	2 5/16 x 8"
Standard	2	40	40	86	65	-	22	G 1/2	2 7/8 x 6"
<b>Chemical seals with male thread</b>									
DIN 11851	40	40	40	78	55	36	-	G 1/2	Rd 65 x 1/6
	50	25	52	92	57	36	-	G 1/2	Rd 78 x 1/6
SMS-Standard	1 1/2	40	40	74	61	38	-	G 1/2	Rd 60 x 1/6
	2	40	52	84	61	38	-	G 1/2	Rd 70 x 1/6
IDF-Standard	1 1/2	40	32	64	63	40	-	G 1/2	1 1/2" IDF
	2	40	52	79	63	40	-	G 1/2	2" IDF
APV-RJT-Standard	1 1/2	40	32	72	60	35	-	G 1/2	2 5/16 x 8"
	2	40	52	86	65	35	-	G 1/2	2 7/8 x 6"