

# FLUOROCARBON RESIN PRESSURE GAUGES

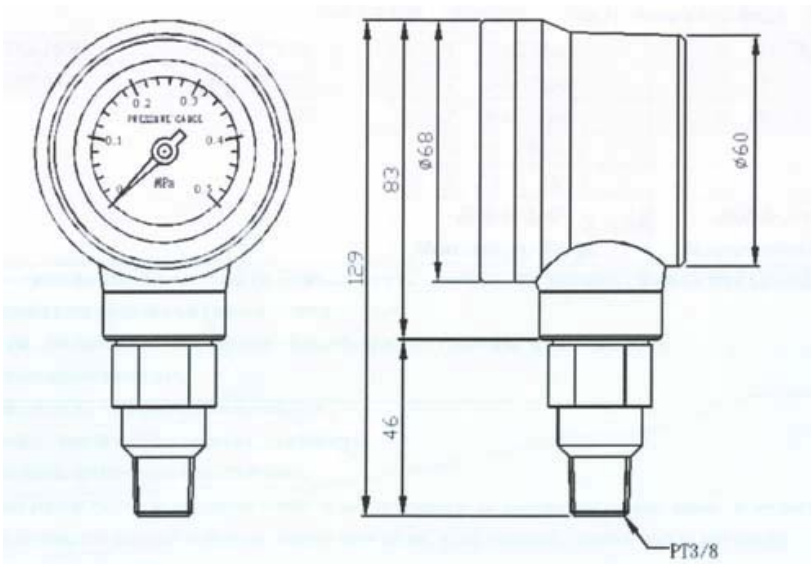
## DS850 series

### APPLICATIONS

The wetted parts are made of fluorocarbon resin and have a high corrosion resistant construction. Particularly used in the industry of semiconductor, pharmacy, food...etc.

### SPECIFICATIONS

<b>Dial diameter</b>	Ø2½"
<b>Mounting</b>	Direct, bottom connection
<b>Housing</b>	ABS
<b>Lens</b>	Plastic
<b>Dial</b>	Aluminum, black markings on white background, dial arc 270°
<b>Measuring principle</b>	Bellows, Fluorocarbon resin
<b>Movement</b>	Brass
<b>Pointer</b>	Indicator — ABS, black
<b>Connection</b>	Male thread 3/8" PT(BSPT) standard, PTFE Fluorocarbon resin
<b>Accuracy</b>	±1.5% F.S.
<b>Temperature limits</b>	10 to 40 °C
<b>Ranges</b>	Standard range 0 / 0.1, 0.3, 0.5, 1 MPa < other range, 0/1~ 0/30 kg/cm <sup>2</sup> , and units, e.g. psi, bar, MPa...etc., available >



### HOW TO ORDER

