

# SIMPLE DIFFERENTIAL PRESSURE SWITCHES

## FSD series

### INTRODUCTIONS

- Differential Pressure Switch not only used in the refrigerant of fluorinated Hydrocarbon, but also in the air and liquid. (permitted liquid temperature: -45°C to +120°C)
- Novel miniature switch guarantees the reliable converting function.
- Flexible mounting plate suits various kinds of application.
- The controls can be used as protective device for maintaining oil pressure of the compressor and other mechanism for air-containing purpose.
- Max working pressure 33 bar.



### SPECIFICATIONS

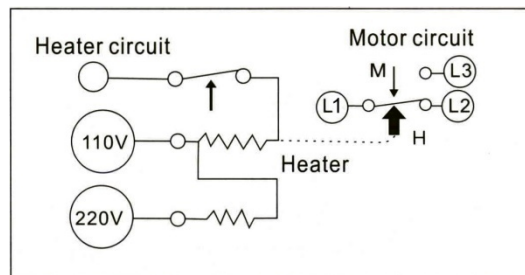
Model	Adjust Range (bar)	Switch Differential (bar)	Factory Set Pressure differential (bar)	Relay Release (Sec.)	Max. Working Pressure (bar)
FSD2C	0.3 – 2	0.2	0.5	Auto. Reset	17
FSD15C	0.3 – 1.5	0.2	0.3		17
FSD35C	0.5 – 3.5	0.5	1		17
FSD35CH	0.5 – 3.5	0.5	1		33
FSD35CH-6	1 – 6	0.5	1		33
FSD35T	1 – 3.5	0.5	1	90 sec. auto. reset or Manual reset	17
FSD35TH	0.5 – 3.5	0.5	1		33
FSD35TH-6	1 – 6	0.5	1		33

### ◆ Electrical data

Rated Voltage (V)		Power Factor cos $\phi$	AC		DC
Amps (A)			125 V	250 V	24 V
Non-Inductive Current		1.0	10	5	5
Inductive Current	Full Load	0.75	8.5	4.5	2
	Locked Rotor	0.45	40	20	10

### ◆ Electrical contacts

1	Heater circuit	Common
110		AC 110V
220		AC 220V
L1	Motor circuit	Diff. decrease off
L2		Contact 1



FSD35T, FSD35TH

M--Manual reset

↑ --Time increase

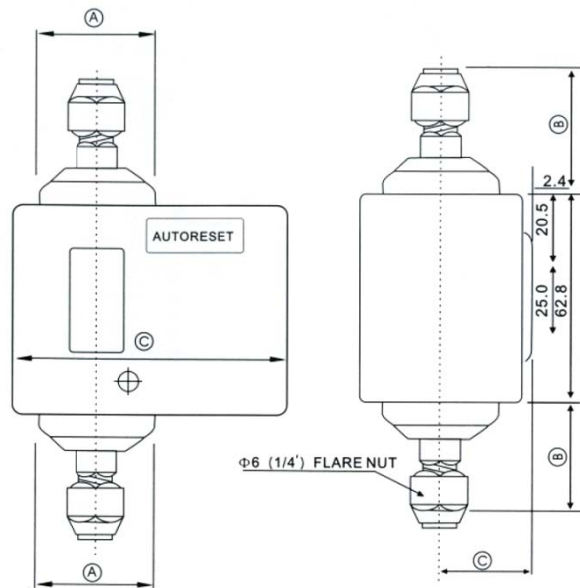
↑ --Diff. increase

1	Common	
1--5	On when Diff. increase	
1--3	On when Diff. decrease	
↑	Diff. increase direction	

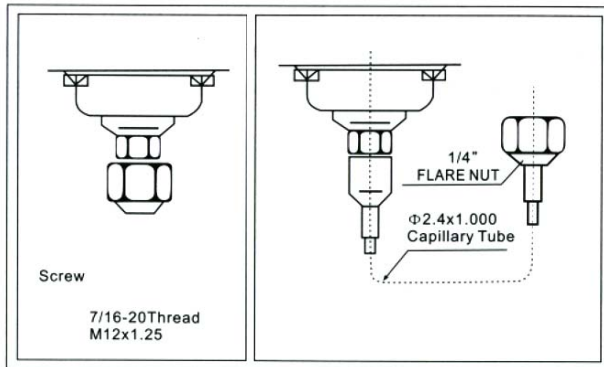
FSD35CH, FSD35CH-6, FSD35C, FSD2C, FSD15C

◆ Outline

Type	Dimension		
	A	B	C
FSD35T	33	51	116
FSD35C	33	51	80
FSD35TH	21	36	116
FSD35CH	21	36	80



Connection



Standard

Tailor according to the requiemt

