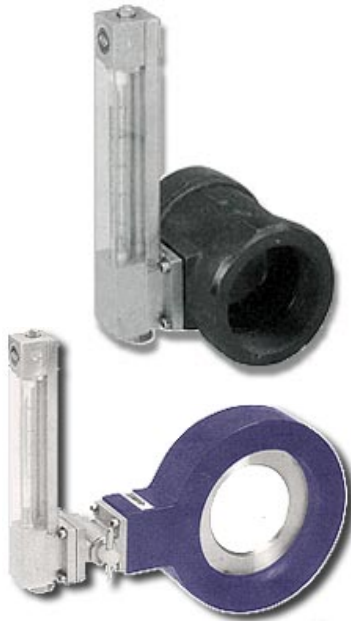


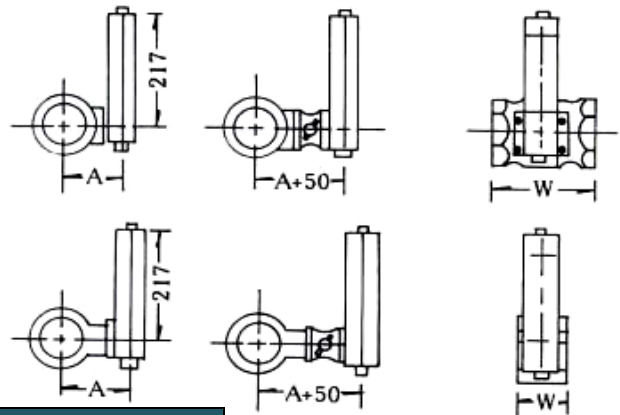
VARIABLE AREA TYPE FLOW INDICATORS DP & DF SERIES



DP (thread)	25	32	40	50	65	80					
DF (flange)	25	32	40	50	65	80	100	125	150	200	250
Size	1"	1-1/4"	1-1/2"	2"	2-1/2"	3"	4"	5"	6"	8"	10"
Water (M³/H)	5	10	15	20	30	60	100	150	200	300	500
Air (NM³/H)	50	100	150	200	300	600	1000	1500	2000	3000	5000
Max. Temp.	100 °C										
Max. Pressure	10 kg/cm ²										
Scale Ratio	Max / Min → 10 / 2										
Accuracy	±5 ~ ±7% F.S.										

Unit: mm

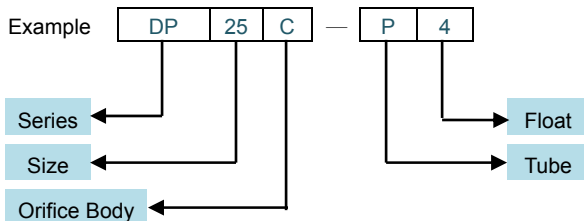
DP Series (female PT thread)						
Size	25	32	40	50	65	80
A	65	65	65	75	80	85
W	100	100	100	120	120	120
PT	1"	1-1/4"	1-1/2"	2"	2-1/2"	3"



DF Series (JIS 10K RF Flange)											
Size	25	32	40	50	65	80	100	125	150	200	250
A	110	115	120	125	135	140	150	170	185	210	240
W	50										
Flange	1"	1-1/4"	1-1/2"	2"	2-1/2"	3"	4"	5"	6"	8"	10"

Indicator Body	Small Strainer	Orifice Plate	Seal
SS304	SS304	SS304	Neoprene
Tube	Float	Orifice Plate Body	Cock
G Glass	1 Teflon	F FC	SS304
P PC	4 SS304	C CS	
		S SS304	

HOW TO ORDER



INSTALLATION

TYPE: Horizontal or Vertical

FLOW DIRECTION: Right→Left ; Left→Right ; bottom→top

STRAIGHT PIPE: It is necessary to leave distance of straight pipe for upper and lower orifice of the indicator. Do not have valve, turn or branch at the side of indicator.

